



GB

*Original Instructions -
CAUTION Read instructions before using the machine.*

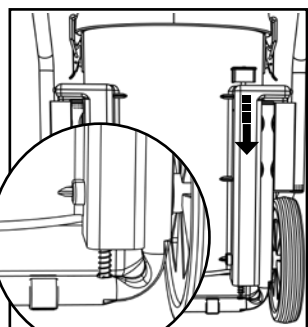
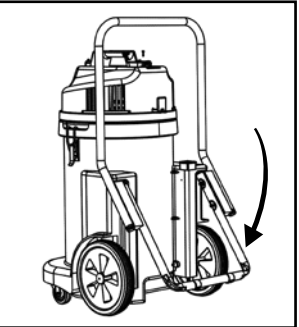
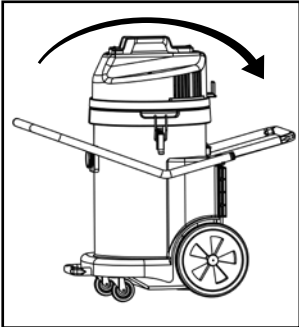
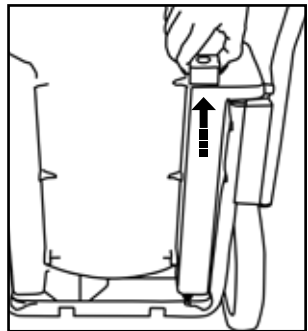
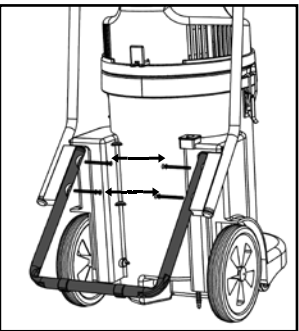
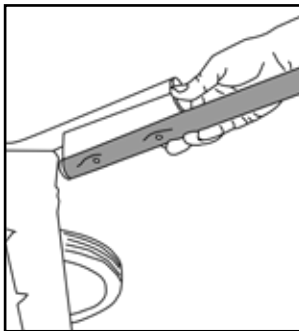
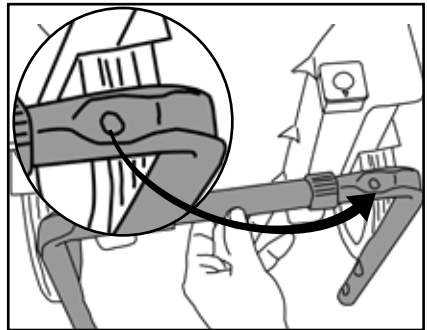
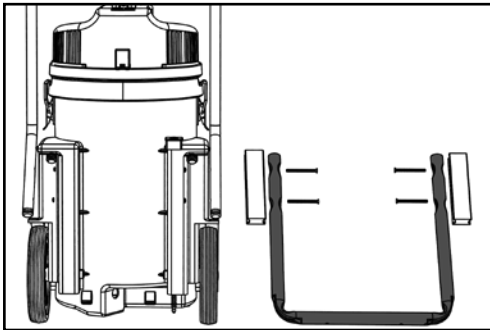
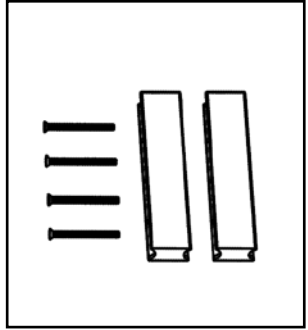
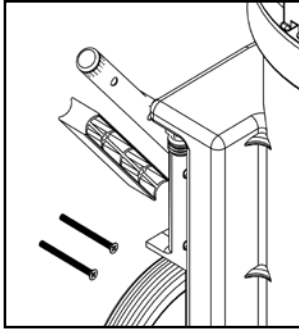
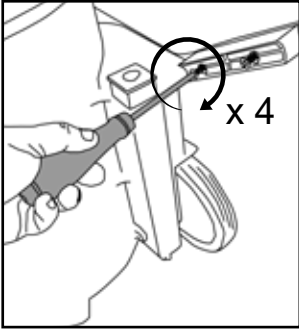


BS8 / BA8

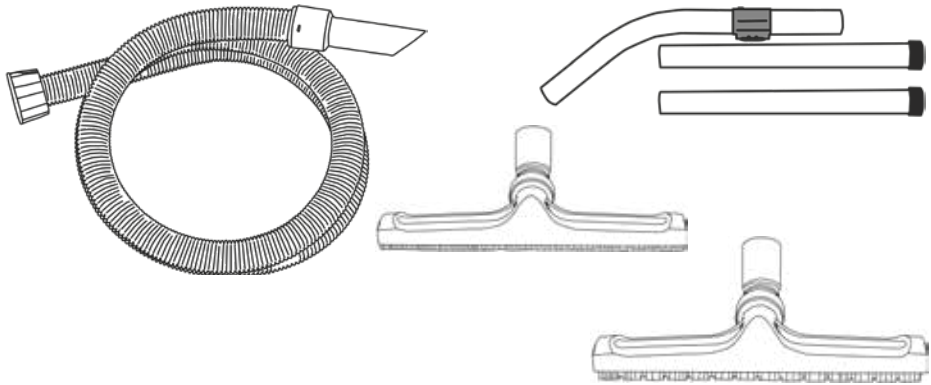
CV570
CVD 570
CV 900
CVD 900



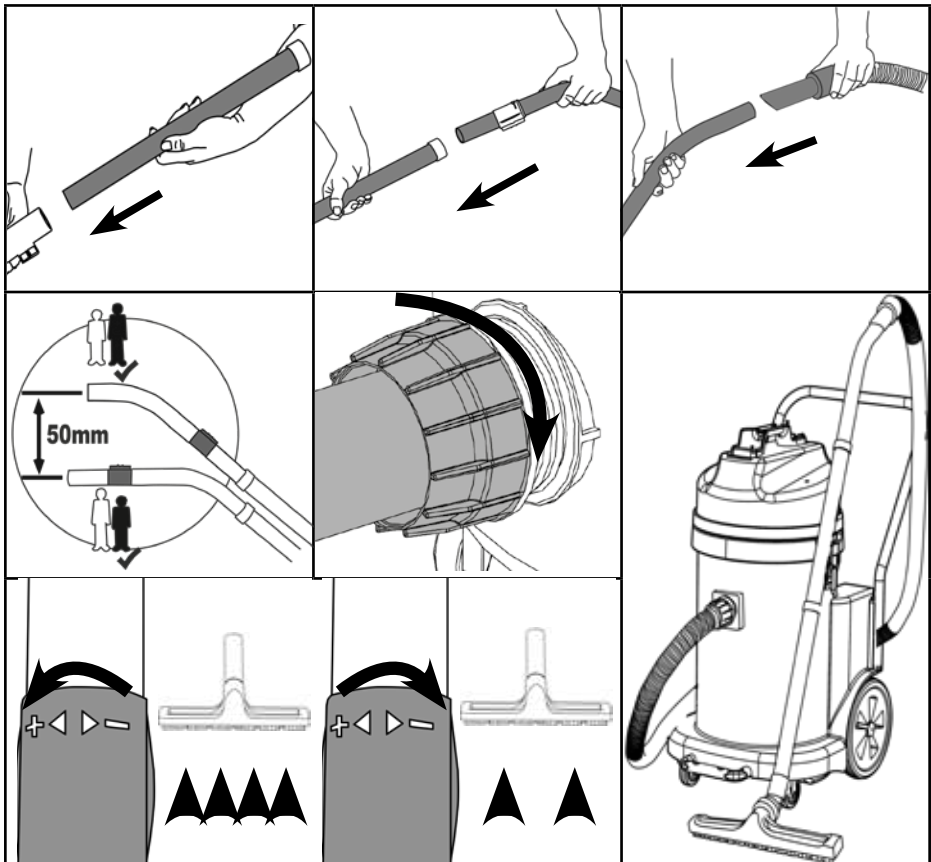
CV / CVD 900 Drum Assembly



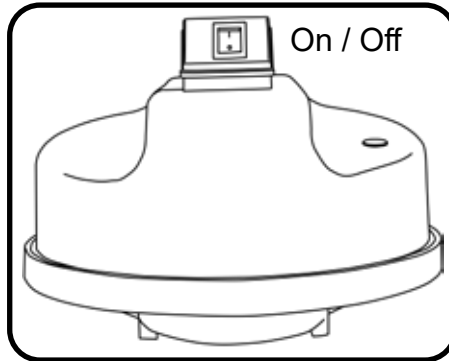
Kit BS8 / BA8



Assembly



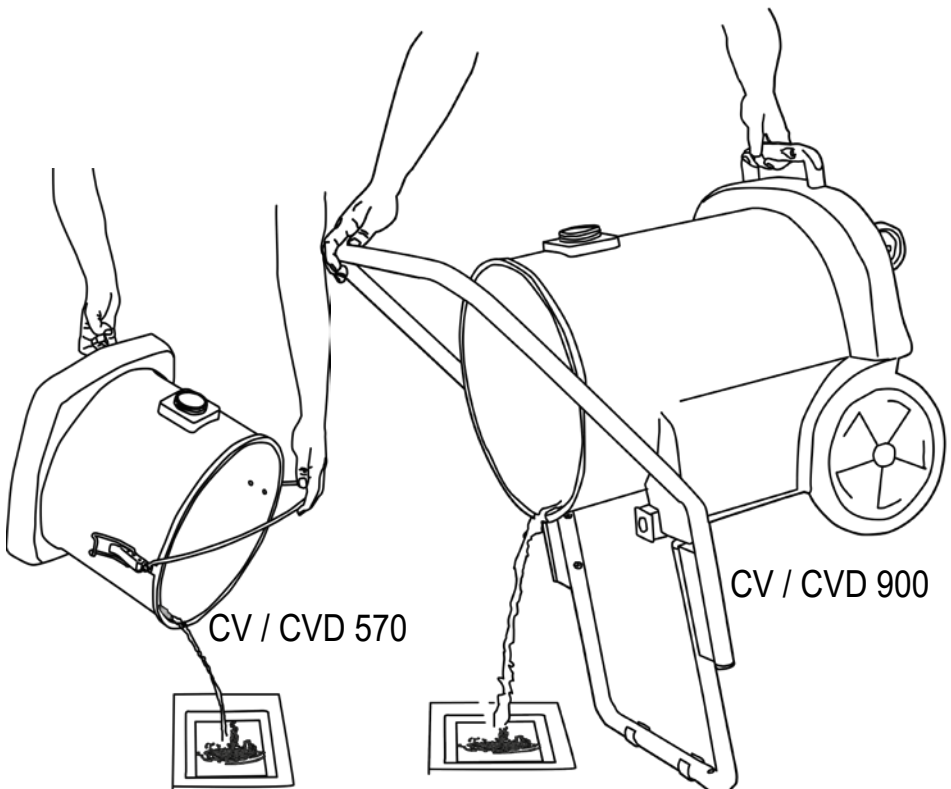
Using the Machine



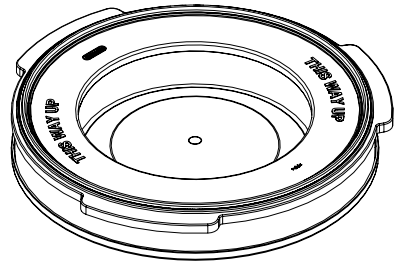
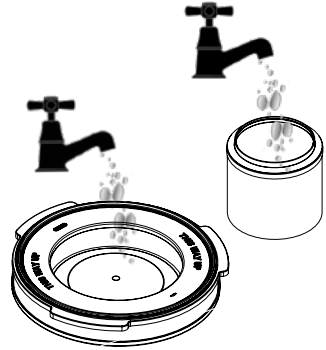
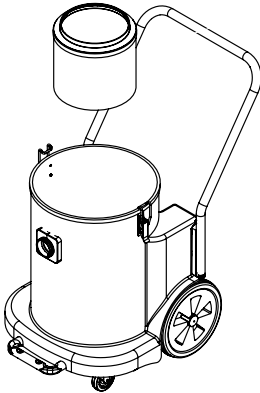
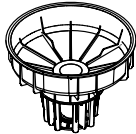
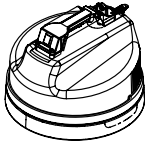
Warning

You must make sure all waste material has been emptied from machine AFTER use.
Make sure all filters are clean BEFORE every use.

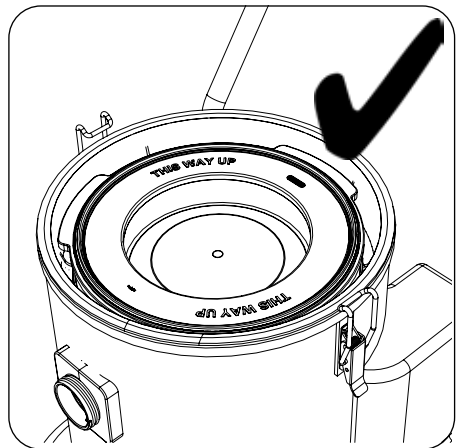
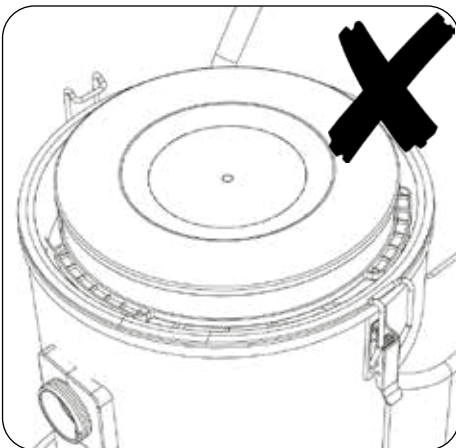
Emptying the Machine



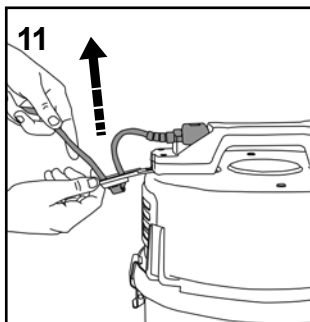
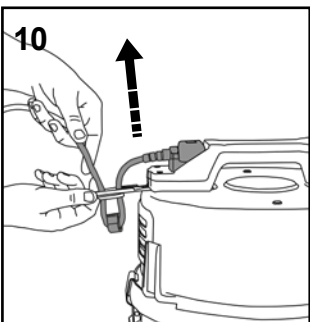
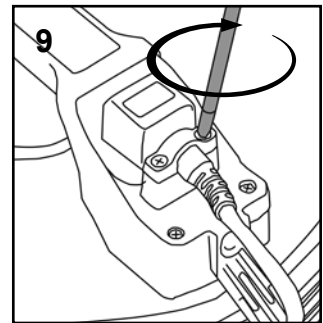
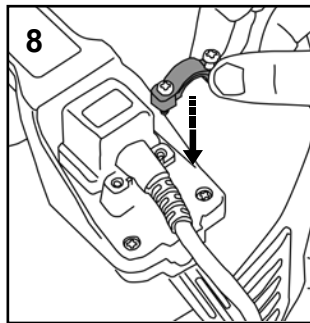
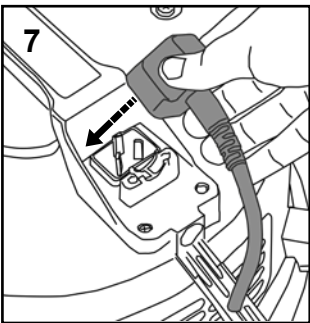
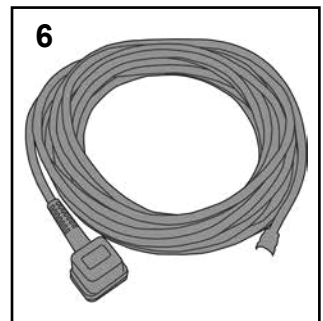
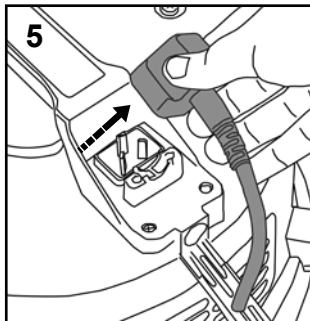
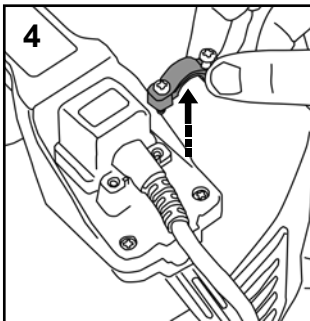
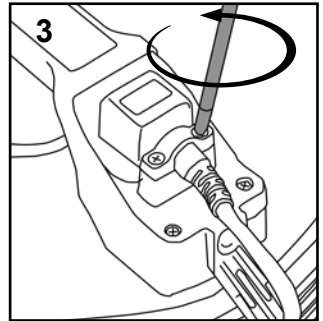
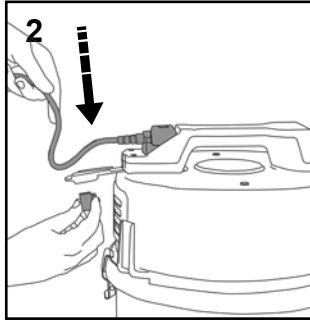
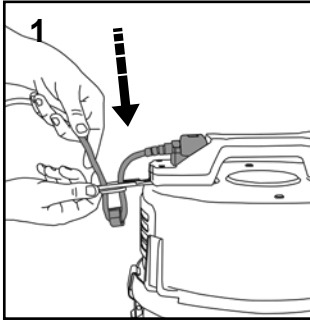
Cleaning the Filters



Do not replace filter until completely dry!

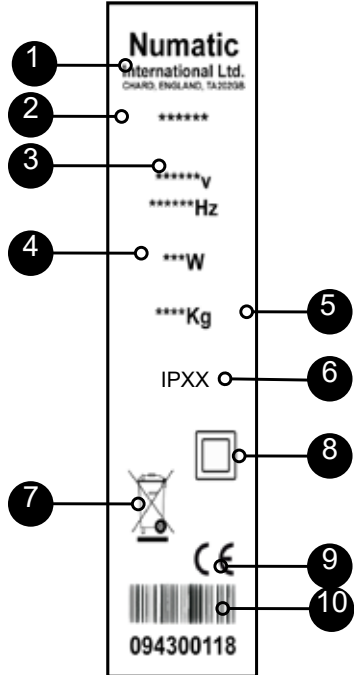


Changing the Cable



Changing the Cable

Rating Label	
1	Company Name & Address
2	Machine Description
3	Voltage / Frequency
4	Power rating
5	Weight (ready to use)
6	IPX Rating
7	WEEE Logo
8	Class 2 Symbol
9	CE Mark
10	Machine yr/wk Serial number



Safety Critical Component:

Mains Lead

H05VV-F 10m x 2 x 1.0mm²
 H05VV-F 10m x 2 x 1.5mm²
 (115v) H05VV-F 10m x 2 x 2.5mm²

WEEE Legislation

(Waste, Electrical and Electronic Equipment)

Vacuum cleaner, accessories and packaging should be sorted for environmentally - friendly recycling.
 (Only for EU Countries)

Do not dispose of vacuum cleaner into household waste! According to the European Directive 2012/19/ EU on waste electrical and electronic equipment and its incorporation into national law.

Vacuum cleaners that are no longer suitable for use must be separately collected and sent for recovery in an environmentally - friendly manner.



Ear Protection



Safety Footwear



Head Protection



Safety Gloves



Eye Protection



Protective Clothing



Dust / Allergens Protection



Hi Vis Jacket

In the event of a breakdown contact your Numatic dealer or the Numatic Technical help line +44 (0)1460 269268



Caution Floor Sign

Information for Wet & Dry use vacuum cleaners



WARNING

Read the instruction manual before using the machine. Operators shall be adequately instructed on the use of these machines.

As with all electrical equipment, care and attention must be exercised at all times during use, in addition to ensuring that routine and preventative maintenance is carried out periodically to ensure safe operation. Failure to carry out maintenance as necessary, including the replacement of parts to the correct standard could render this equipment unsafe and the manufacturer can accept no responsibility in this respect.

The machine shall be disconnected from the mains by removing the plug from the supply socket during cleaning or maintenance and when replacing parts or converting the machine to another function.

This machine is not to be used by children or persons with reduced physical, sensory or mental capabilities, or lack of experience or knowledge.

Children being supervised are NOT to play with the machine.

This appliance is intended to be assembled, cleaned and maintained by an adult.

This machine is not a toy.

This machine is not suitable for the collection of flammable liquids, biological hazards, and hazardous or explosive dust.

You should contact your local distributor if you require a machine capable of performing these tasks.

If foam/liquid comes out of machine exhaust, switch off immediately. Allow the accumulated liquid to drain out through the machine exhaust, check the float assembly to ensure correct operation, empty the container if full of liquid, reassemble the machine. Immediately upon start up there will be a certain amount of liquid issuing from the machine exhaust which will be the residue of liquid still within the power head. This will be quickly discharged after which the machine should function normally. Liquid ejected from the machine could be hazardous as a result of its temperature, pressure or chemical content.



CAUTION

Ensure that the filtration system fitted to the machine is suitable for the material being collected.

This machine is for indoor use only.

This machine shall be stored indoors only.


When moving from one place to another, consider the weight of the machine.

NOTE:- This product complies with the requirements of clause 20 of IEC/EN 60335-2-69 Stability and

Mechanical Hazards.

If the supply cord is damaged, it must be replaced by a special cord assembly available from the manufacturer.

This machine is also suitable for commercial use, for example in hotels, schools, hospitals, factories, shops and offices for other than normal housekeeping purposes. This machine can be used for wet and dry pick up.

- 
- DO
- Keep your machine clean.
 - Keep filters clean.
 - Regularly clean the water level limiting float safety valve and examine for signs of damage or correct operation.
 - Keep hoses clear.
 - Replace any worn or damaged parts immediately.
 - Regularly examine the power cord, if damage is found, power cord must be replaced by a qualified person using the correct Numatic original part.
 - Empty dust container frequently.
 - Keep diffuser filter (where fitted) clean.
 - Dispose of waste in an environmentally responsible way.



- Use steam cleaners or pressure washers to clean the machine or use the machine in the rain.
- Immerse in water for cleaning.
- Allow any inexperienced repairs. Call the experts.
- Use wet if float valve is not functioning or fitted.
- Use to suck up hot ashes, or lighted cigarette ends.
- Run the machine over the power cable during operation as a hazard may occur.
- Pull on the cable to unplug the machine from the power supply.
- Walk over-wet carpets, upholstery or fabrics.
- Walk on clean carpets until fully dry.
- Spray onto people or animals.
- Attempt machine maintenance or cleaning unless the power supply plug has been removed from the supply outlet.

Fault Finding

If the vacuum cleaner stops working switch off and remove the plug from the wall before investigating where the fault lies.

If the vacuum cleaner has a blockage and will not pick up material, switch off and remove the plug from the wall. Check if the float valve has operated, this will shut off the suction and the pitch of the vacuum motor will change. Remove the power head and float cage and empty the waste out of the container, if the container is empty check that the floor tool, wands and hose are not blocked.

After use always inspect the machine for damage.

Data

CV / CVD 570

	Motor	AirFlo (motor only)	Suction	Cleaning Range	Class
CV 570 CVD 570	1060 W 1060 W x 2	49 L/sec 98 L/sec	2400 2400	26.8m 26.8m	II
		Capacity Wet/dry	Size	Weight	Sound Pressure (LpA) Uncertainty (KpA)
CV 570 CVD 570		13 Ltrs 13 Ltrs	415x415x645mm	16.3 Kgs 18.5 Kgs	73.6-79 dB (A) 0.2 dB

CV / CVD 900

	Motor	AirFlo (motor only)	Suction	Cleaning Range	Class
CV 900 CVD 900	1060 W 1060 W x 2	49 L/sec 98 L/sec	2400 2400	26.8m 26.8m	II
		Capacity Wet/dry	Size	Weight	Sound Pressure (LpA) Uncertainty (KpA)
CV 900 CVD 900		30 Ltrs 30 Ltrs	490x800x880mm	25.2 Kgs 27.7 Kgs	73.6-79 dB (A) 0.2 dB

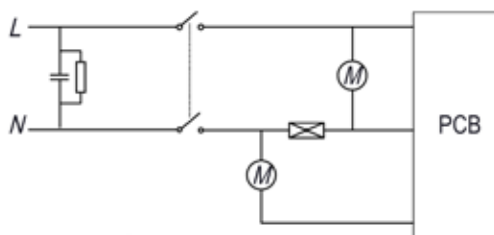
Spare Parts

NUMBER	ITEM	NOTES
207124	CARTRIDGE FILTER	REPLACEMENT ITEM
207124	(H10) CARTRIDGE FILTER	ACCESSORY ITEM
207126	MESH FILTER	REPLACEMENT ITEM
502988	FLOAT ASSEMBLY	REPLACEMENT ITEM


Wiring Diagram



14" CV 570 / 900 - 240V / 120V



14" CVD 570 / 900 - 240V / 120V

<p>EU, EC, EL, UE, ES: Declaration of Conformity Prohlášení o shodě Konformitátserklæring Overensstemmelseserklæring Declaración de conformidad Vastavusdeklaratsioon Déclaration de conformité</p>	<p>Декларация за съответствие Δήλωση συμμόρφωσης Megfelelőségi nyilatkozat Dichiarazione di conformità Atitikties deklaracija Conformiteitsverklaring Samsvarserklæring Declaração de conformidade</p>	<p>Deklaracija zgodnosti Declaratie de conformitate Декларация о соответствии Försäkran om överensstämmelse Izjava o skladnosti Vaatimustenmukaisuusvakuutus</p>
<p>Manufacturer: / Výrobce / Hersteller / Fabrikant / Fabricante / Tootja / Fabricant / производитель / Κατασκευαστής / Gyártó / Fabbricante / Gamintojas / Fabrikant / Produzent / Fabricante / Producent / Producător / производитель / Tillverkare / Proizvajalca / Valmistaja:</p>	<p>Numatic International Limited Chard Somerset TA20 2GB www.numatic.co.uk</p> 	
<p>Product: / Produkt / Produkt / Produkt / Producto, Toode, Produit / Продукт / Προϊόν / Termék / Prodotto / Produkta / Artikel / Produkt / Produtos / Produkt / Prods / товар / Produkt / Izdelka / Tuote:</p>	<p>WV, WVD, CV, CVD</p>	
<p>Description: / Popis / Beschreibung / Beskrivelse / Descripción / Kirjeldus / La description / Описание / Περιγραφή / Leirás / Descrzione / Apibudinimas / Omschrijving / Beskrivelse / Descrição / Opis / Descriere / Описание / Beskrivning / Opis / Kuvaus:</p>	<p>Vacuum Cleaner – Commercial – Wet and Dry</p>	
<p>GB We, Numatic hereby declare under our sole responsibility, that the above-mentioned product(s) is/are in conformity with the following directives and standards.</p> <p>CZ My, Numatic prohlašujeme na svou výlučnou odpovědnost, že výše uvedené výrobek je ve shodě s následujícími směrnici a normami.</p> <p>DE Wir, Numatic erklären in alleiniger Verantwortung, dass das oben genannte Produkt den folgenden Richtlinien und Normen entspricht.</p> <p>DK Vi, Numatic erklærer hermed under eget ansvar at ovennævnte produkt(er) i overensstemmelse med følgende direktiver og standarder.</p> <p>ES Nosotros, Numatic declaramos bajo nuestra única responsabilidad que el producto antes mencionado está en conformidad con las siguientes directivas y normas</p> <p>EE Meie, Numatic Käesolevaga kinnitame ja kanname ainuisikulist vastutust, et eespool nimetatud toode on kooskõlas järgmistele direktiivide ja</p> <p>FR Numatic déclare sous notre seule responsabilité que le produit mentionné ci-dessus est conforme aux directives et normes suivantes.</p>	<p>BG Ние, Numatic С настоящото декларираме на своя лична отговорност, че посочените по-горе продуктът е в съответствие със следните директиви и стандарти.</p> <p>GR Εμείς, Numatic δηλώνουμε με αποκλειστική μας ευθύνη, ότι το προαναφερόμενο προϊόν συμμορφώνεται με τις ακόλουθες οδηγίες και πρότυπα.</p> <p>HU Mi, Numatic kijelentjük, egyedüli felelősséggel, hogy a fent említett termék megfelel az alábbi irányelveknek és szabványoknak</p> <p>IT Noi, Numatic dichiara sotto la propria responsabilità, che il prodotto di cui sopra è conforme alle seguenti direttive e norme.</p> <p>LT Mes, "Numatic pareiškiu vienašališkos atsakomybės, kad pirmiau minėtas produktas atitinka šias direktyvas ir standartus</p> <p>NL We verklaren Numatic hierbij op eigen verantwoordelijkheid, dat het bovengenoemde product voldoet aan de volgende richtlijnen en normen</p> <p>NO Vi, Numatic erklærer herved under eget ansvar, at det ovennevnte produktet er i samsvar med følgende direktiver og standarder</p>	<p>PT Nós, a Numatic declaramos, sob nossa exclusiva responsabilidade, que o produto acima mencionado está em conformidade com as diretrizes e normas a seguir.</p> <p>PL My, Numatic Niniejszym oświadczamy z pełną odpowiedzialnością, że wyżej wymieniony produkt jest zgodny z następującymi dyrektywami i normami.</p> <p>RO Noi, Numatic Prin prezenta declarăm pe propria răspundere, că produsul mai sus menționat este în conformitate cu următoarele standarde și directive.</p> <p>RU Мы, Нилфиск овим изьявляюем под пуном одговорношћу, да наведеног производ је у складу са следећим директивама и стандардима.</p> <p>SE Vi Numatic förklarar härmed under eget ansvar att ovan nämnda produkt överensstämmer med följande direktiv och normer.</p> <p>SI Mi, Numatic izjavljamo s polno odgovornostjo, da je zgoraj omenjeni izdelek v skladu z naslednjimi smernicami in standardi.</p> <p>FI Me, Numatic täten vakuutamme omalla vastuulla, että edellä mainittu tuote on yhdenmukainen seuraavien direktiivien ja standardien mukaisesti</p>
<p>2006/42/EC</p>	<p>Machinery Directive</p>	<p>EN60335-1:2012 + AC:2014 + A11:2014 EN60335-2-69:2012 EN62233:2008</p>
<p>2014/30/EU</p>	<p>EMC Directive</p>	<p>EN55014-1:2006 + A1:2009 + A2:2011 EN55014-2:1997 + A1:2001 + A2:2008 EN61000-3-2:2014 EN61000-3-3:2013</p>
<p>2011/65/EU</p>	<p>RoHS Directive</p>	

Authorised Signatory: Mr. Allyn Boyes



Signed:

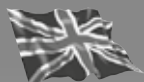
Date: 04th Feb 2019

Position: Development Manager

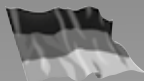
Numatic International Limited

Chard,

Somerset, TA20 2GB, UK



Numatic International Limited.
Chard, Somerset TA20 2GB ENGLAND
Tel: 01460 68600 www.numatic.co.uk



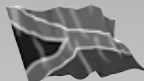
Numatic International GmbH. Fränkische Straße 15–19
D-30455 Hannover, DEUTSCHLAND
Tel: 05 11 98 42 16 0 www.numatic.de



Numatic International SAS. 13 / 17 rue du Valengelier
77500 CHELLES, FRANCE
Tel: 01 64 72 61 61 www.numatic.fr



BeNeLux Distribution, Numatic International BV
Postbus 101, 2400 AC Alphen aan den Rijn, NEDERLAND
Tel: 0172 467 999 www.numatic.nl



Numatic International (Pty.) Ltd.
16th & Pharmaceutical Roads, Midrand, Gauteng,
SOUTH AFRICA 1685
Tel: 0861 686 284 www.numatic.co.za



Numatic International Schweiz AG.
Sihlbruggstrasse 3A, 6340 Baar. SCHWEIZ
Tel: 0041 (0) 41 76 80 76 - 0 www.numatic.ch



Numatic International ULDA. Centro de Negócios da Maia,
Rua Albino José Domingues, 581, 4470 – 034 Maia PORTUGAL
Tel: +351 220 047 700 www.numatic.pt



Numatic International SLU. C/ La Forja, 41, 08840 Viladecans
(Barcelona), Spain
Tel: +34 93 647 22 22 www.numatic.es

Specification subject to change without prior notice
www.numatic.co.uk © Numatic International Limited